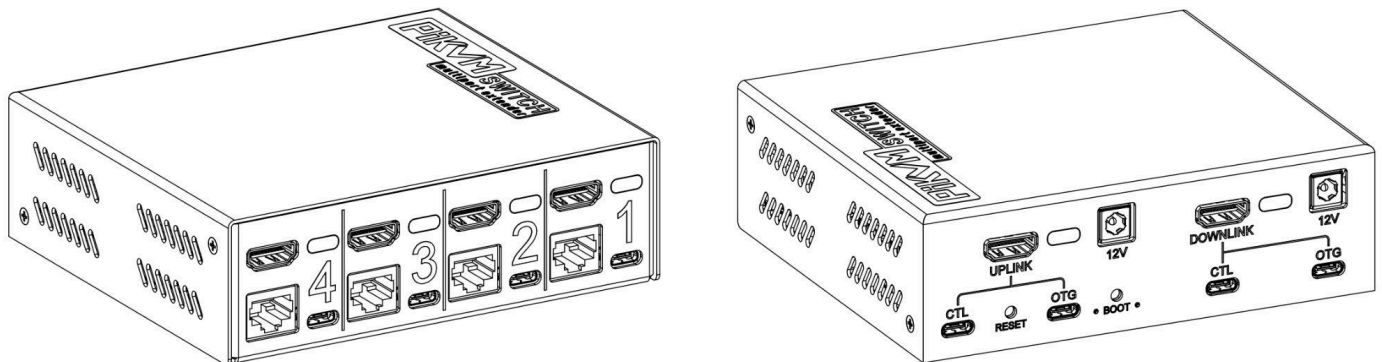


PiKVM Switch Multiport Extender Datasheet

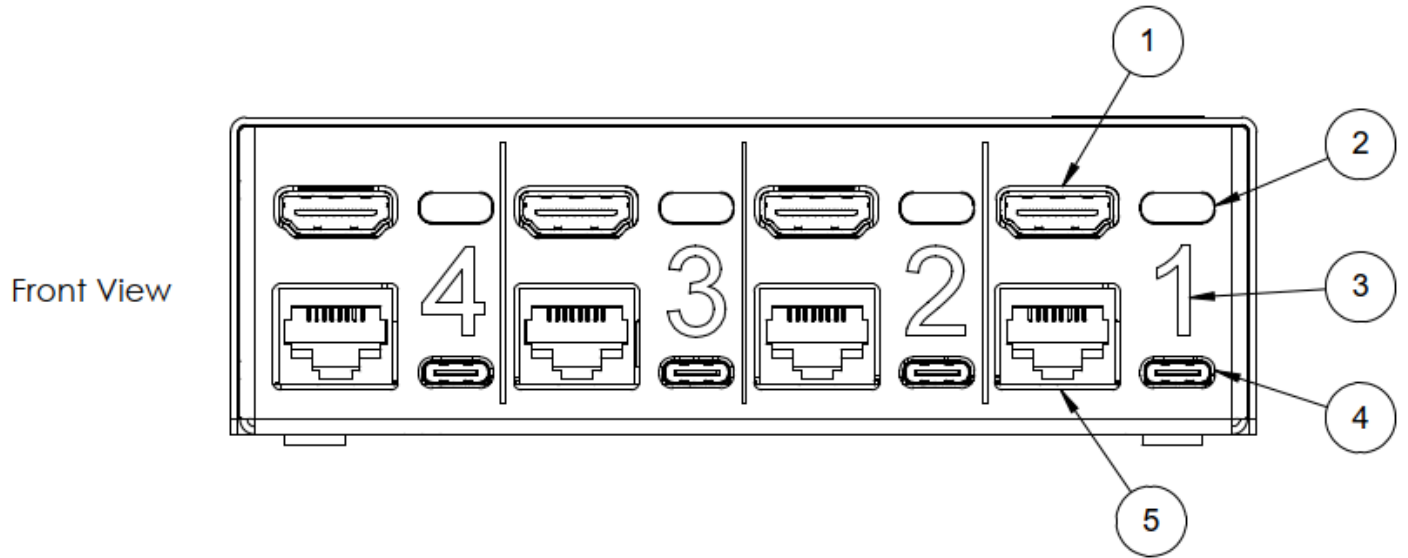
The PiKVM Switch Multiport Extender enables one PiKVM device to view and control multiple target computers connected to each port. Target computers are viewed using HDMI video capture and then controlled via USB and ATX connections. Up to five Switch Multiport Extenders can be daisy-chained for a total of 20 ports. This is the maximum number of target computers that can be controlled by each supported PiKVM device.

One target system at a time can be selected for HDMI video capture and USB control. ATX statuses and controls are available for all connected targets simultaneously. Video inputs include dedicated EDID (HDMI information and display parameters) and full control of the video connection state of each port.

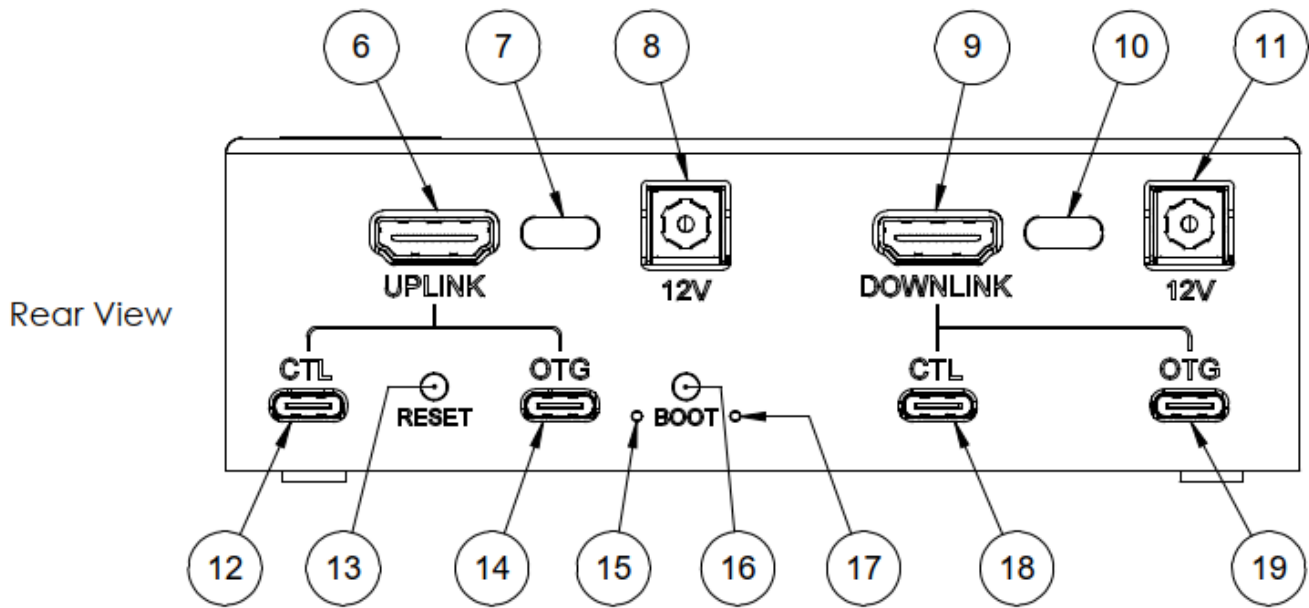
The PiKVM Switch Multiport Extender is fully plug-and-play. It is compatible with PiKVM models V4 Plus, V3, V2, and V1. It is not compatible with the V4 Mini model, which lacks a USB host port.



Connectivity diagram



1	HDMI video input port	4	USB 2.0 OTG connector
2	Multifunctional status LED ("Port #")	5	RJ45 ATX control port
3	Number of port		



6	HDMI video output port to PiKVM	13	Switch Reset button
7	Multifunctional status LED (“Uplink”)	14	USB OTG port to PiKVM
8	Power Input 12V 0.5A	15	Activity LED (Yellow)
9	HDMI video input port from other Switch	16	Switch Boot button
10	Multifunctional status LED (“Downlink”)	17	Power LED (Green)
11	Power Output to other Switch	18	USB Control port to other Switch
12	USB Control port to PiKVM	19	USB OTG port to other Switch

Specifications

Parameter name	Characteristics
Power	
Connection type:	5.5x2.1mm
Power type:	DC 12V, 0.5A
Power failure option	Build in watch-dog circuitry
Connectivity/Interfaces	
HDMI female	HDMI source input or daisy-chain
USB-C female	For the keyboard, mouse, mass storage, and other external device emulation)
USB-C female	Switch management port
ATX RJ-45	Special port for power control or AUX
Displays/indicators	
LED indicators	power, activity, port multifunctional LEDs
Video	
Supported resolutions:	up to 1920x1200@60Hz
Audio	
Audio capture mode	HDMI audio capture support
Power consumption	
Peak power consumption	Up to 6W (0.5A/12V)

Environmental	
Operating temperature	0°C to 50°C
Storage temperature	-20°C to 60°C
Size and weight	
Size	120 x 136 x 44mm
Weight	0.6 kg